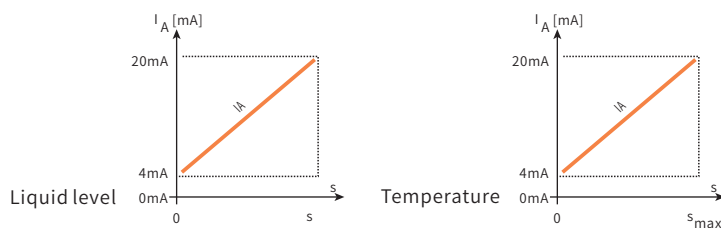




GWYS3000/100-Analog

GWYS3000/100

Mine flameproof liquid level temperature sensor



- + Robust and durable, fully enclosed design, highest IP68 protection level
- + Linear measurement, absolute value output without zeroing
- + Easy to use, standard signal output, maintenance-free
- + Full scale adjustable, 100% adjustable zero and full scale
- + Highest reliability: long-term use, stable and reliable
- + PT100-A platinum resistors are used



TECHNICAL PARAMETER

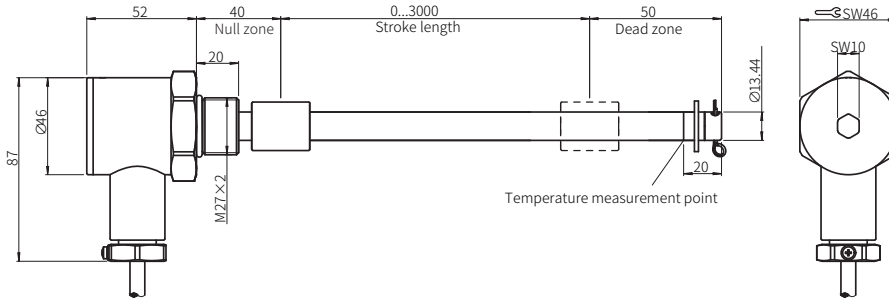
TECHNOLOGY PERCEIVES THE FUTURE

Input	
Measured data	liquid level, temperature
Measurement range	Liquid level: (50...3000)mm, Temperature: (0...100)°C
Output	
Liquid level	4...20mA
Temperature	4...20mA
Resolution	
Resolution	14 bit D/A
Liquid level	±0.5% F.S.
Temperature	±1°C
Update time	1.5s
Temperature coefficient	<30ppm/°C
Mounting	
Mounting form	M27× 1.5 , M27× 2, M35× 1.5, G1, Custom flanges
Design/Material	
Electronics housing	Stainless steel 304
Measuring rod	Stainless steel 304/316L
Float	304/316L/NBR
Electrical connection	
Wiring connection	Straight out cable
Operating voltage	+24VDC (-15/+20%)
Polarity protection	Up to -36VDC
Overvoltage protection	Up to +36VDC
Power consumption	≤ 50mA
Dielectric strength	1000VDC (DC ground to machine ground)
Operating conditions	
Operating temperature	0-40°C
Humidity	90 % relative humidity, no condensation
Ingress protection	IP68 (customizable)
Explosion-proof type	Mine flameproof type
Explosion-proof mark	Ex db I Mb

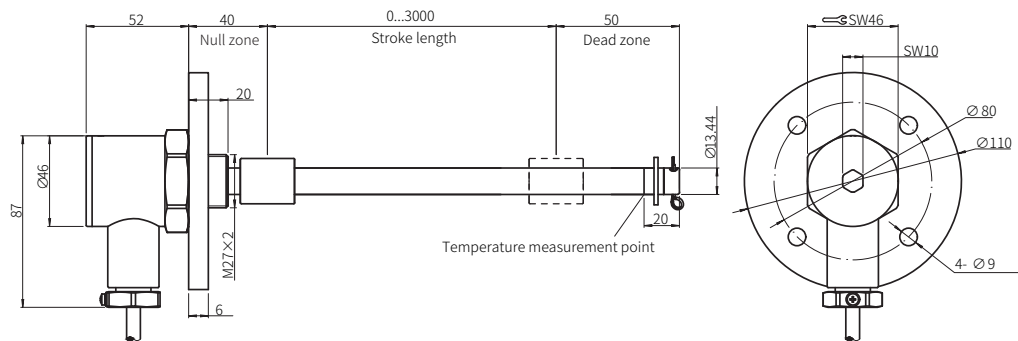
TECHNICAL DRAWING

TECHNOLOGY PERCEIVES THE FUTURE

Threaded mounting

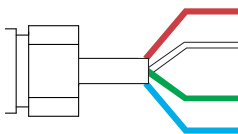


Flange mounting



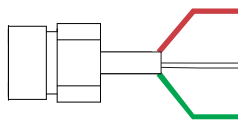
Wiring

liquid level, temperature	Color	Function
---------------------------	-------	----------



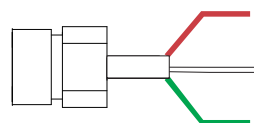
Red	+24VDC (-15/+20%)
White	Level signa: 4...20mA
Green	+24VDC (-15/+20%)
Blue	Temperature signal: 4...20mA

Liquid level	Color	Function
--------------	-------	----------



Red	+24VDC (-15/+20%)
White	GND
Green	Level signa: 4...20mA

Temperature	Color	Function
-------------	-------	----------



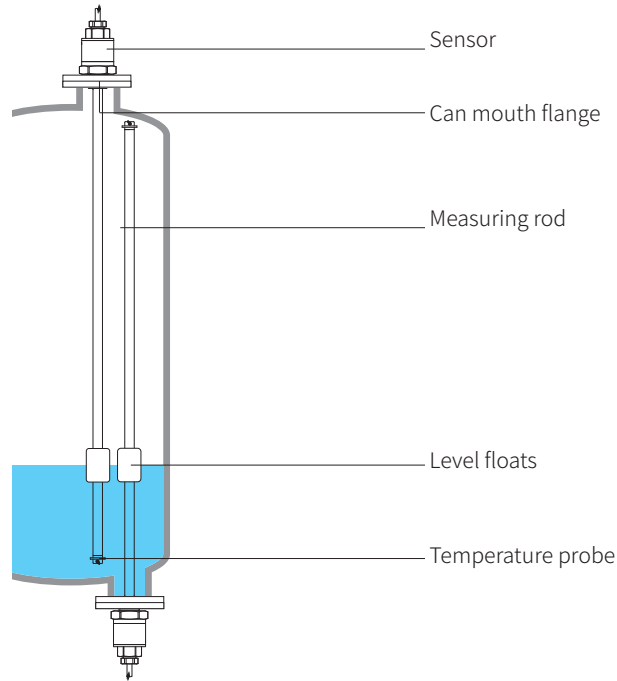
Red	+24VDC (-15/+20%)
White	GND
Green	Temperature signal: 4...20mA

MECHANICAL MOUNTING DIAGRAM

TECHNOLOGY PERCEIVES THE FUTURE

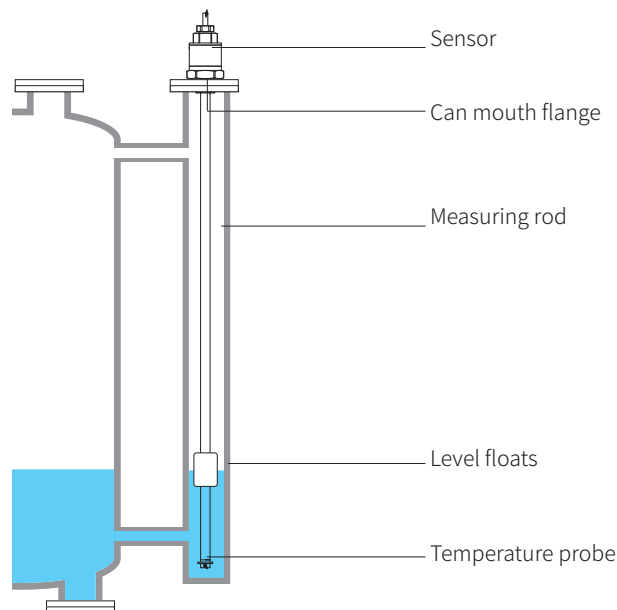
Threaded, flanged mounting

Most tanks are suitable for this type of measurement, and the connecting flange or user-specific sub-flange can be selected, and the level sensor mounting thread is screwed directly into the flange. As shown, the product is mounted vertically with the float "on" marked upwards.



Bypass tube installation

The bypass pipe installation is suitable for occasions where the liquid in the tank is stirred vigorously or the liquid temperature is high, such as in the chemical industry.



ORDER CODE

TECHNOLOGY PERCEIVES THE FUTURE

GWYS3000/100 -		M-000/100 -		
Mounting form	Level range	Temperature range	Cable length	Output
A M27x1.5	0050...3000mm (5mm increments)	0...100°C	0...10m	Output Code
B M27x2	★ When the output is A0D, the sidebar length is indicated here	The first three digits are the minimum temperature,	(If the cable length is less than two digits, add zeros in front.)	
C M35x1.5		and the last three are the maximum temperature.		
G G1				
I G1/4				
F Flange mounting (default M27x2)				

Output Code	[1][2][3]
A0	Two-wire output, liquid level: 4...20mA, temperature: 4...20mA
A0D	Three-wire output, temperature: 4...20mA
A0Y	Three-wire output, liquid level: 4...20mA

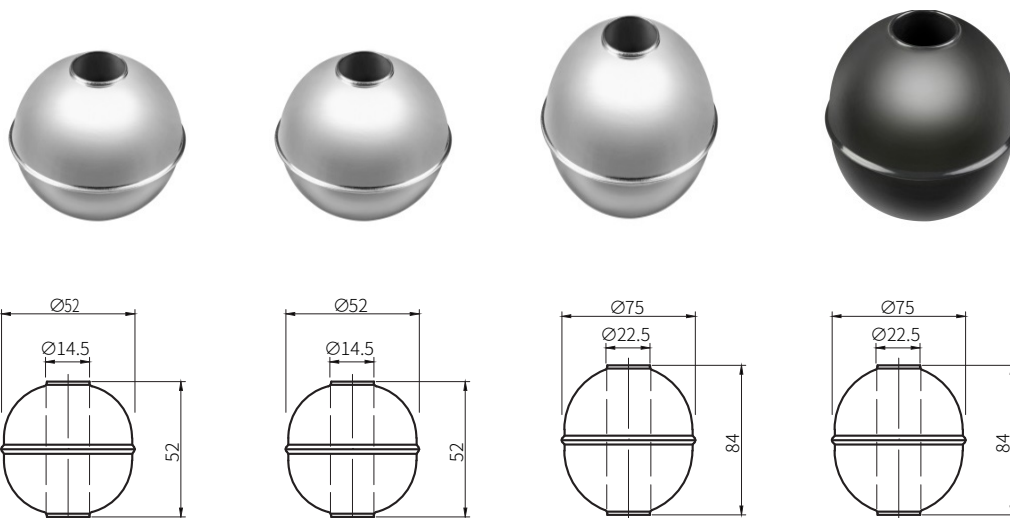
Model selection	Model: GWYS3000/100-A-0500M-000/100-10-A0
	Explanation: GWYS3000/100 series liquid level temperature sensor, M27x1.5 threaded mounting, liquid level range 500mm, temperature range 0... 100° C, cable length 10 meters, two-wire output, liquid level 4... 20mA, temperature 4... 20mA.

***This product is a mining product, the model must be CWYS3000/100, please refer to the selection code when ordering.**

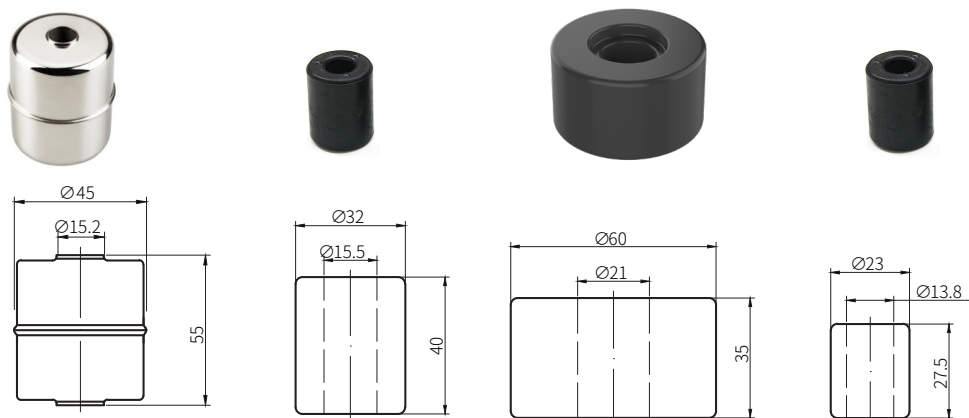


PARTS SELECTION

TECHNOLOGY PERCEIVES THE FUTURE



Name	Float	Float	Float	Float
Density	0.92g/cm ³	0.66g/cm ³	0.92g/cm ³	0.66g/cm ³
Material	316L	316L	316L	316L Surface coated with PTFE
Pressure resistance	3.4MPa	3.4MPa	3.4MPa	3.4MPa
Operating temperature	-40...105°C			
Order code	11-1050	11-1051	11-1048	11-1049



Name	Float	Float	Float	Float
Density	0.53g/cm ³	0.44g/cm ³	0.5g/cm ³	0.71g/cm ³
Material	316L	NBR	NBR	NBR
Pressure resistance	3.4MPa	/	/	/
Operating temperature	-40...105°C			
Order code	11-1052	11-1053	11-1054	11-1056

Beijing Tebeifu Electronic Technology Co., Ltd.

Building 6, Dazu Enterprise Bay,
8th yard of Liangshuihe 2nd street, BDA P.R.China
Tel: +86 10-67948976 67948916
Fax: +86 10-67948979
Mailbox: sale@tbfsensor.com

TBF Electronic Technology GmbH(German branch)

Felix-Wankel-Str.1 1.OG 85221 Dachau, Germany
Tel: +49(0)8131 337578-0
E-mail: info@tbfsensor.com



www.tbfsensor.com