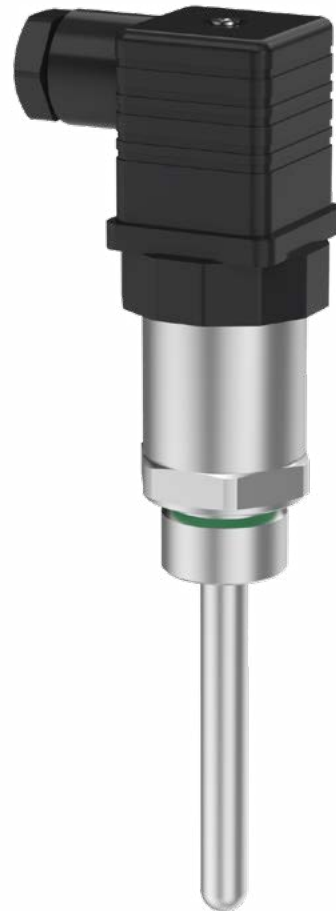




GD-W Temperature sensor

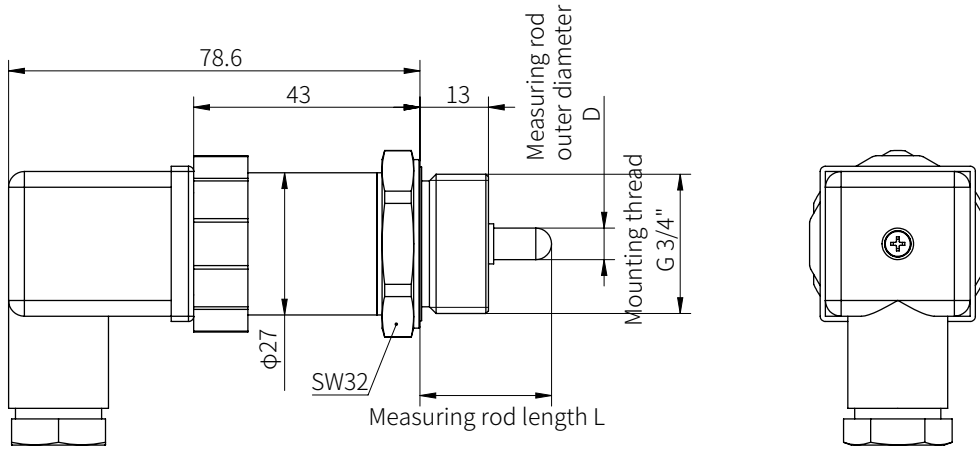
GD-W series **Analog**

- + Adopt mature and stable platinum resistance temperature measuring element.
- + With short circuit protection and reverse polarity protection.
- + A temperature detector with a wide range of application temperature is the most commonly used in the middle and low temperature area (-200 ~ 650°C).
- + Accuracy of PT100 A class.
- + Widely used in oil, chemical, electric power, building materials, machinery and other industries, gas and fluid temperature detection and control.



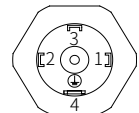
Temperature range	-50~300°C (Customizable)	
Temperature measurer	PT100/PT1000	
Response time	Protecting housing Ø6mm ≈ 18s, protecting housing Ø8mm ≈ 36s	
Supply voltage	24(12~32)VDC	
Output signal	4~20mA (two-wire system)	
Stability	±0.1%F.S/year	
Accuracy	±1%F.S.	
Resolution ratio	0.02%F.S.	
Sheathing material	304 Stainless steel	
Protection grades	IP65	
Procedure linkage	G1/2"、G3/4" and other external threads(Customizable)	
Electrical connection	Hirschmann joint	
ITEM	CATEGORY	PARAMETER

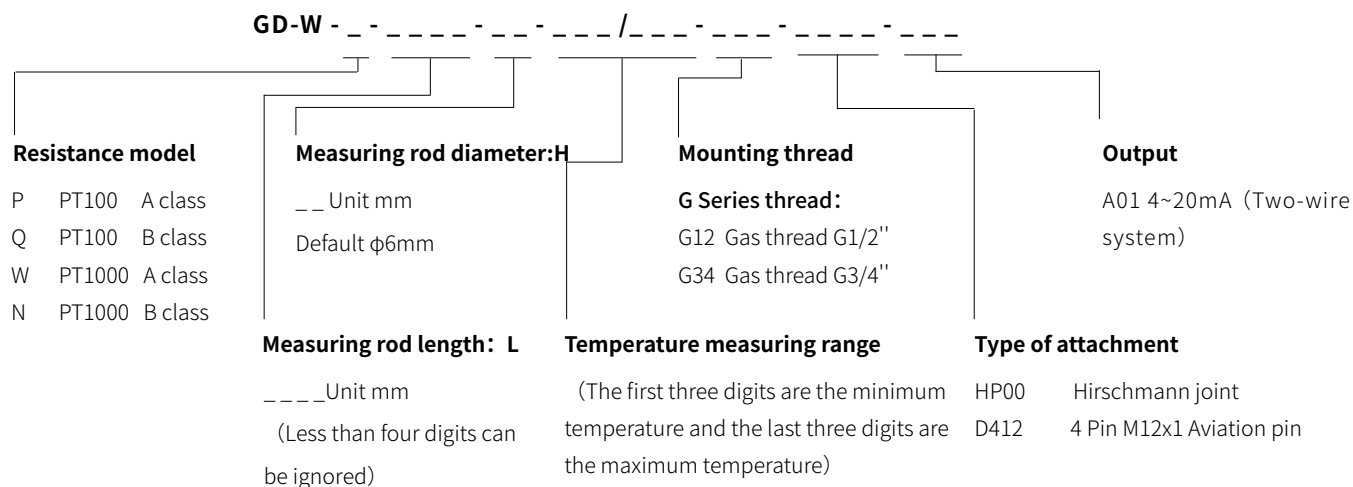
GD-W - - - - - / - - - - -



Hirschmann joint

Pin	1	2	3	4
Two-wire system	+24VDC power supply	Signal output	NC	NC





Model selection | Model: GD-W-P-0050M-06-0/100-G34-HP-A01

Explanation: GD-W temperature transmitter,PT100 A class,measuring rod length 50mm,measuring rod diameter 6mm,temperature measuring range 0-100degrees,installation thread G3/4,hirschmann joint outlet,4mA...20mA current output(two-wire system).

Felix-Wankel-Str.1 1.OG 85221 Dachau, Germany

Technical support: +49 (0) 8131 337578-0
 E-mail: info@tbfsensor.com

TBF Electronic Technology GmbH

Building 6, Dazu Enterprise Bay,
 8th yard of Liangshuihe 2nd street, BDA P.R.China

Tel: +86 10-67948976 67948916
 Fax: +86 10-67948979

■ For more customizable products, please contact us.